

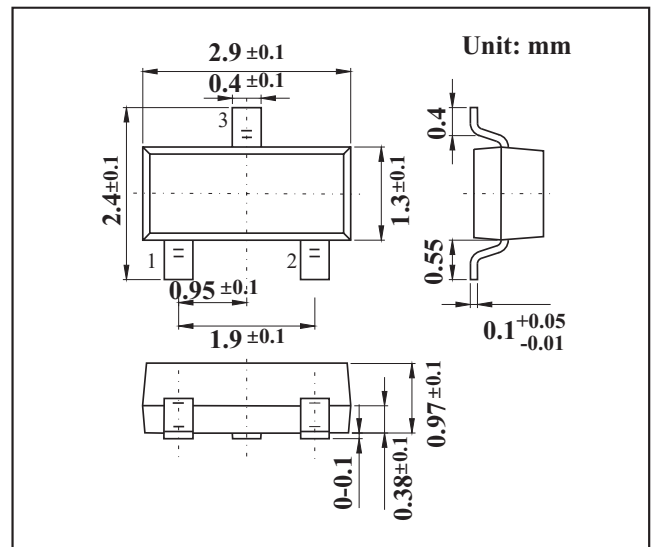
SOT-23 Small Signal Switching Diodes

FEATURES

- The plastic package carries Underwrites Laboratory Flammability Classification 94V-0
- Construction utilizes void-free molded plastic technique
- High reliability
- High temperature soldering guaranteed: 260 °C/10 seconds at terminals
- Component in accordance to RoHs 2015/863 and WEEE 2012/19/EU

MECHANICAL DATA

- Case style: SOT-23 molded plastic
- Mounting position: Any



MAXIMUM RATINGS AND CHARACTERISTICS

@ 25°C Ambient Temperature (unless otherwise noted)

Symbol	Parameter	Value	Unit
V_R	DC Blocking Voltage	80	V
I_o	Continuous Forward Current	100	mA
I_{FM}	Peak Forward Current	300	mA
I_{FSM}	Non-repetitive Peak Forward Surge Current@t= 8.3ms	2	A
P_D	Power Dissipation	200	mW
$R_{\theta JA}$	Thermal Resistance from Junction to Ambient	625	°C/W
T_j	Junction Temperature	150	°C
T_{stg}	Storage Temperature	-55~+150	°C

Parameter	Symbol	Test conditions	Min	Typ	Max	Unit
Reverse voltage	$V_{(BR)}$	$I_R=100\mu A$	80			V
Reverse current	I_R	$V_R=70V$			0.1	μA
Forward voltage	V_F	$I_F=100mA$			1.2	V
Total capacitance	C_{tot}	$V_R=6V, f=1MHz$			3.5	pF
Reverse recovery time	t_{rr}	$I_F=I_R=5mA, V_R=6V$			4	ns

RATINGS AND CHARACTERISTIC CURVES

